

Top

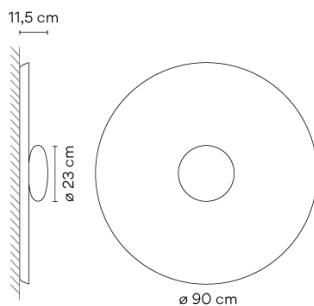
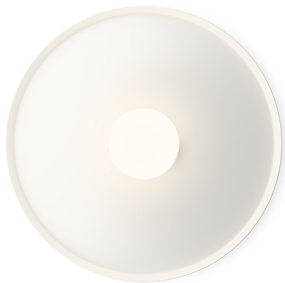
1170

Design By Ramos & Bassols

Top is a ceiling lamp with surface installation. It features simple lines that blend in with the ceiling as much as possible. The light reflected by the glass diffuser is confined within the rosette, as if the light were framed.

VIBIA

Model Sheet



Finish	 10 White NCS S 0300-N
	 47 Green L1 NCS S 4005-G80Y
	 40 Blue L1 NCS S 3010-B
	 36 Soft Pink NCS S 1010-Y50R

LED temperature color 2700 K

Dimming DALI 1-10V PUSH
Optional Casambi
Min. quantity, upcharge and extra lead time apply [EN]



Installation type Surface Canopy

Materials Body: Aluminum
Ceiling rose: Aluminum
Diffuser: Opal blown-glass

Light source 3 x LED 13,4W 700mA
E

LED CRI>90 3300 lm 82.08
2700 K

Driver CC - Constant Current 700
220-240 V 50/60 HZ

  **Dimmable** **LED**
IP20 **Dry Location** **50-60Hz**

Application Ceiling Lamps

Packaging 1 Box
1.12 m x 1.12 m x 0.345 m
Gross weight 7.7
Net weight 5.3
Vol. 0.4327

Lighting effect

General Lighting

Lamp for general lighting that equally distributes the light in all directions.

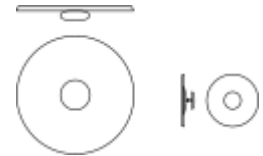


Photometric Data

These photometric data refer to finish 36. If you need the photometrics of other finishes please go to Download.

Efficiency	66.69 lm/W
Coordinate System	CG
Total Flux	3103.46 lm
Maximum Value	813.96 c

Other Applications



All of our products come with a five-year warranty.
Check our legal terms at www.vibia.com/warranty

Vibia Lighting, S.L.U.

Office / Oficina
Progrés 4-6, 08850 Gavà, Barcelona, Spain.

International T +34 934 796 971
Spain / Portugal T +34 934 796 970

customer.service@vibia.com
vibia.com